

Article Card

Model 8032 - FM / FEL



Covers

Madras, Semianiline, Soleda, Anilux, Fabric

Body part		Elastic layer	
seat	HR 3532 + HR 3038	flat spring	YES
back	Molded foam + HR 2515	topline spring	NO
arm	VP 4070		
pillow			

Frame construction materials

solid wood	NO
cheapboard	NO
fiberboard	NO
plywood	YES
steal frame	YES

Colli	1
-------	---

Manual	Inside handle
Electric	Panel

Available functions

Manual headrest Height adj.	NO
Electric headrest angle adj.	YES
Electrical back angle adj.	YES
Automatic	YES
Manual	YES
Legget-E	NO
Legget-M	NO
Spring Gas	YES
Slide	NO
Lift-Up	YES

Article Card

System for assembly

double click



Way for packing

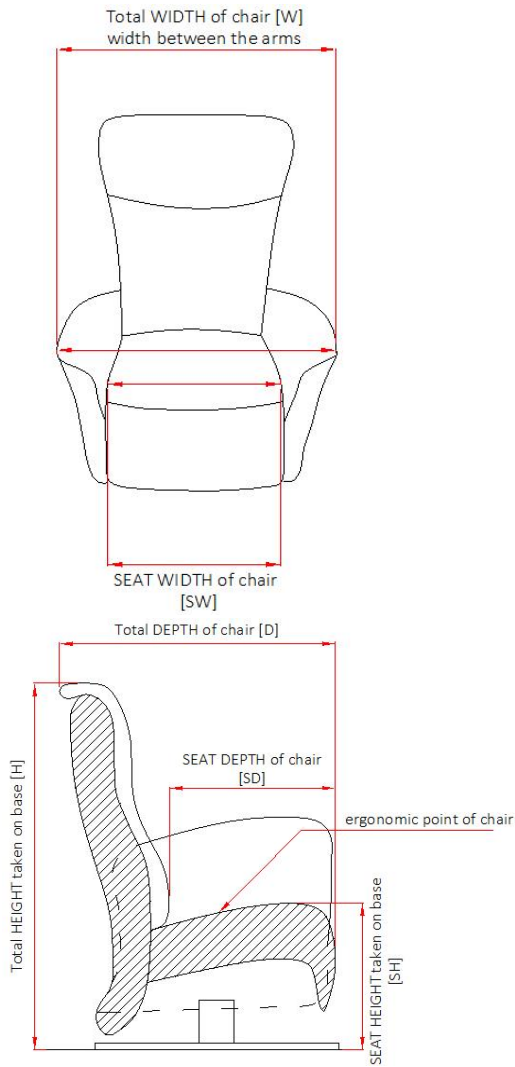
box

Box dimension [cm]

92x47x77



MEASUREMENTS: All measurements can be different about 2-3 cm !



Legs	Size	Height	Seat height	Base weight
		cm	cm	
DISC BASE BRUSHED	S	101	45	16,5
	M	106	47	
	M	108	49	
EB / EBS	S	101	45	2
	M	106	47	
	L	108	49	
TS / TSS	S	103	47	2,5
	M	108	49	
	L	110	51	
DISC BASE WOODEN	S	101	45	6
	M	106	47	
	L	108	49	
WOOD STAR	S	101	45	4
	M	106	47	
	L	107	48	
ORION BASE	S	101	45	2
	M	106	47	
	L	108	49	
SIRIUS BASE	S	101	45	3
	M	106	47	
	L	108	49	

Measurement on EB 110 / 130 / 155

Size	Width [W]	Height [H]	Depth [D]	Seat depth [SD]	Seat height [SH]	Seat Width [SW]
	[cm]	[cm]	[cm]	[cm]	[cm]	[cm]
8032 SF3M / SF3EL3	75	101	88	52	44	52
8032 MF3M / MF3EL3	75	106	88	52	46	52
8032 LF3M / LF3EL3	75	108	89	52	48	52

Size	Weight netto	Weight brutto	Volume netto	Volume brutto
	[kg]	[kg]	[m ³]	[m ³]
8032 SF3M	26	28,1	0,67	0,33
8032 MF3M	27	29,2	0,70	0,33
8032 LF3M	28	30,2	0,72	0,33
8032 SF3EL3	29	31,3	0,67	0,33