

## Article Card

**Model** 8006 - FM / FEL



**Covers** Madras, Semianiline, Soleda, Anilux, Fabric

Body part		Elastic layer	
seat	HR 3532 + HR 3038	flat spring	YES
back	Molded foam	topline spring	NO
arm	VP 4070		
headrest			

Frame construction materials	
solid wood	NO
chipboard	NO
fiberboard	NO
plywood	YES
steel frame	YES

Colli	1
-------	---

Manual	Inside handle
Electric	Panel
Massage	Pilot

Available functions	
Manual headrest Height adj.	NO
Electric headrest angle adj.	YES
Electrical back angle adj.	YES
Automatic	YES
Manual	YES
Legget-E	NO
Legget-M	NO
Gas Spring	YES
Slide	NO
Lift-Up	YES

## Article Card

System for assembly

double click



Way for packing

box

Box dimension [cm]

92x47x77



additional height options

Gas lift central parts

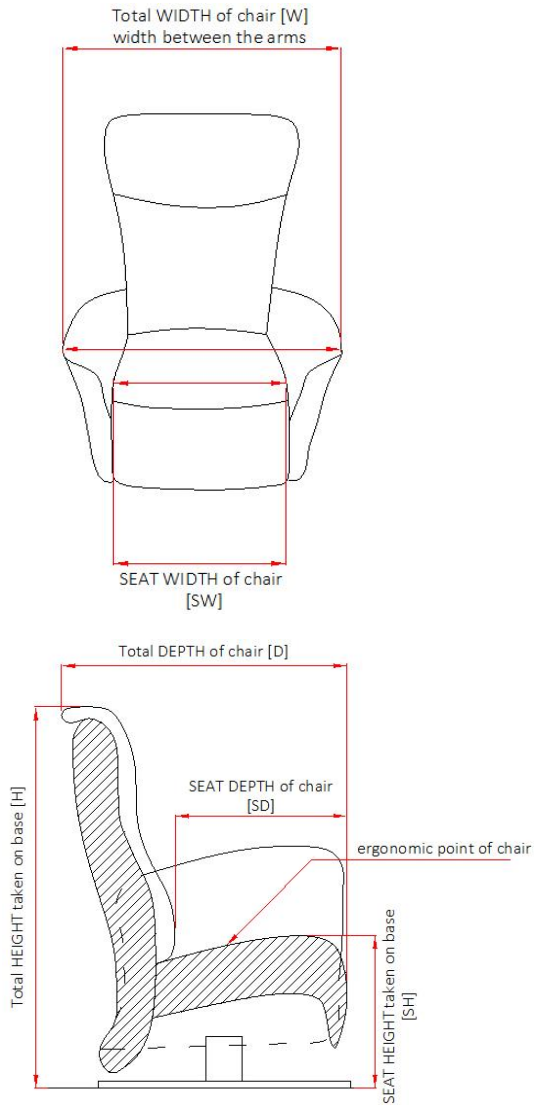
seat height regulation

44 - 50 cm

Available only for Orion Base (OS/OSS) & Elegant Base (EB/EBS).



## MEASUREMENTS: All measurements can be different about 2-3 cm !



Legs	Size	Height	Seat height	Base weight [kg]
		cm	cm	
DISC BASE BRUSHED	S	101	45	16,5
	M	106	47	
	M	108	49	
EB / EBS	S	101	45	2
	M	106	47	
	L	108	49	
TS / TSS	S	103	47	2,5
	M	108	49	
	L	110	51	
DISC BASE WOODEN	S	101	45	6
	M	106	47	
	L	108	49	
WOOD STAR	S	101	45	4
	M	106	47	
	L	107	48	
ORION BASE	S	101	45	2
	M	106	47	
	L	108	49	
SIRIUS BASE	S	101	45	3
	M	106	47	
	L	108	49	

Measurement on EB 110 / 130 / 155

Size	Width [W]	Height [H]	Depth [D]	Seat depth [SD]	Seat height [SH]	Seat Width [SW]
	[cm]	[cm]	[cm]	[cm]	[cm]	[cm]
8006 SF3M / SF3EL3	73	101	88	52	45	54
8006 SF3M - open function	73	71	154	99	50	54
8006 SF3EL3 - open function	73	73	156	98	48	54
8006 MF3M / MF3EL3	73	106	88	52	47	54
8006 MF3M - open function	73	75	159	99	52	54
8006 MF3EL3 - open function	73	78	157	98	50	54
8006 LF3M / LF3EL3	73	108	89	54	49	54
8006 LF3M - open function	73	78	160	99	55	54
8006 LF3EL3 - open function	73	80	158	98	53	54

Size	Weight netto	Weight brutto	Volume netto	Volume brutto
	[kg]	[kg]	[m <sup>3</sup> ]	[m <sup>3</sup> ]
8006 SF3M	26	29,0	0,65	0,33
8006 MF3M	27	30,0	0,65	0,33
8006 LF3M	28	31,0	0,70	0,33
8006 SF3EL3	29	32,0	0,65	0,33
8006 MF3EL3	30	33,0	0,68	0,33
8006 LF3EL3	33	36,0	0,70	0,33

23.03.2022