

## Article Card

**Model** 8119 - F5M / F5EL3



**Covers** Madras, Semianiline, Soleda, Anilux, Fabric

Body part		Elastic layer	
seat	Molded foam	flat spring	YES
back	Molded foam + HR 2515	topline spring	NO
arm	VP 4070		
headrest			

Frame construction materials	
solid wood	NO
chipboard	NO
fiberboard	NO
plywood	YES
steel frame	YES

Function control	
Manual	Inside handle
Electric	Wireless black pilot

Available functions	
Manual headrest Height adj.	NO
Electric headrest angle adj.	YES
Electrical back angle adj.	YES
Automatic	YES
Manual	YES
Massage	NO
Spring Gas	YES
Slide	NO
Lift-Up	NO
Two fabric cover	YES

## Article Card

System for assembly

double click



Way for packing

box

Box dimension [cm]

92x47x77



additional height options

Gas lift central parts

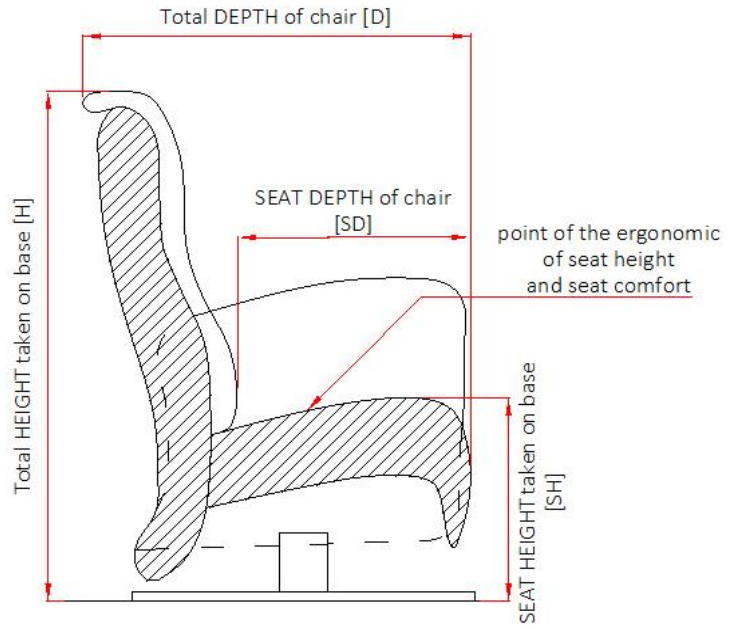
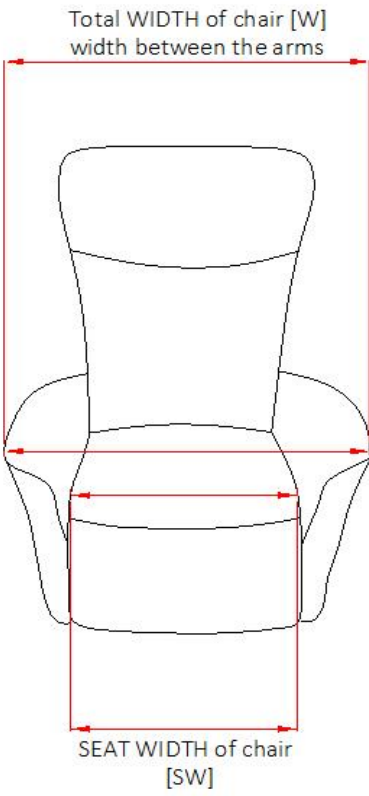
seat height regulation

44 - 50 cm

Available only for Orion Base (OS/OSS) & Elegant Base (EB/EBS).



**MEASUREMENTS** All measurements can be different about 2-3 cm !



**MEASUREMENTS:** All measurements can be different about 2-3 cm !

Measurement on EBS 110 / 130 / 155						
Size	Width [W]	Height [H]	Depth [D]	Seat depth [SD]	Seat height [SH]	Seat Width [SW]
	[cm]	[cm]	[cm]	[cm]	[cm]	[cm]
8119 SF5M / SF5EL3	78	106	84	53	44	49
8119 SF5M - open function	78	80	153	97	48	49
8119 SF5EL3 - - open function	78	84	149	96	46	49
8119 MF5M / MF5EL3	78	110	84	53	46	49
8119 MF5M - open function	78	84	155	98	50	49
8119 MF5EL3 - open function	78	88	151	97	48	49
8119 LF5M / LF5EL3	82	113	86	54	48	53
8119 LF5M - open function	82	88	157	98	52	53
8119 LF5EL3 - open function	82	92	153	97	50	53

Size	Weight netto	Weight brutto	Volume netto	Volume brutto
	[kg]	[kg]	[m <sup>3</sup> ]	[m <sup>3</sup> ]
8119 SF5M	25	28,0	0,69	0,33
8119 MF5M	26	29,0	0,72	0,33
8119 LF5M	27	30,0	0,80	0,33
8119 SF5EL3	28	31,0	0,69	0,33
8119 MF5EL3	29	32,0	0,72	0,33
8119 LF5EL3	30	33,0	0,80	0,33

data: 14.03.2022